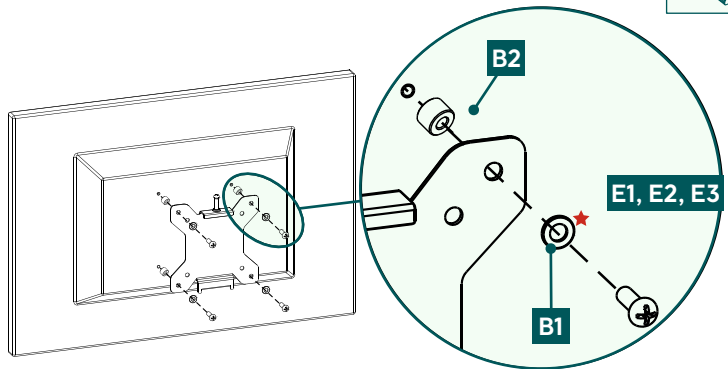


7 Mounting the backside of the TV



Flat TV backside

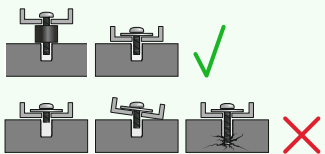
C1, D1, E1, E3 + B1

Curved TV backside

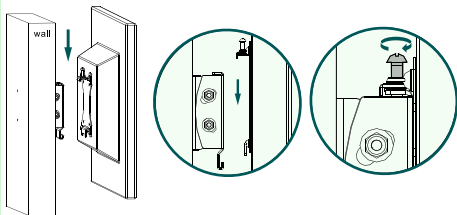
C2, D2, E2, E3 + B1 + B2

D3, E3 + B3

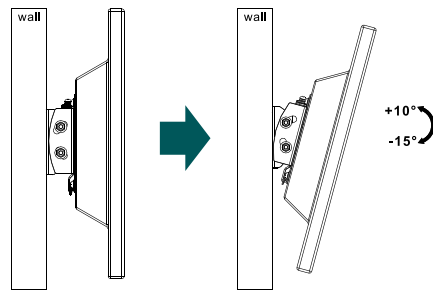
★ You do not need a washer for the D-screws



8 Mounting the TV on the bracket



9 Adjustment & Fixing



Do you need more help?



Scan QR or visit:
support.hama.com/
00220802



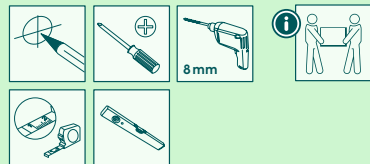
hama

We are so happy you chose a hama product.

Enjoy using it!

Quick Installation Guide

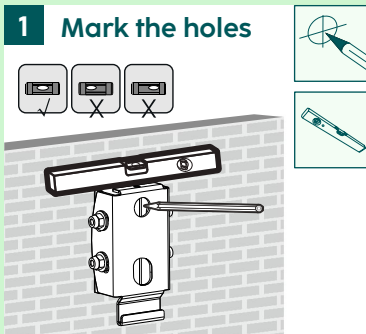
Required tools



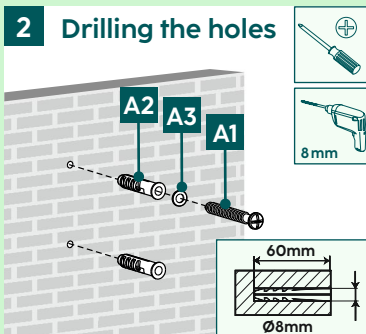
Installation kit

A1		5,5x60 (x2)
A2		Ø8x50 (x2)
A3		M6 (x2)
B1		M6 (x4)
B2		Ø8x10 (x4)
E1		M4x12 (x4)
E2		M4x20 (x4)
E3		M4x45 (x4)

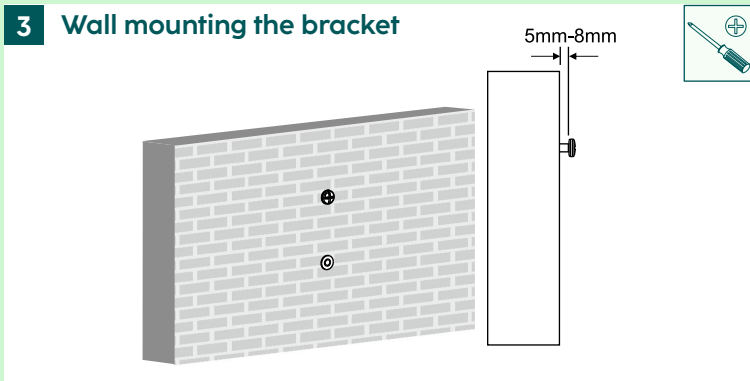
1 Mark the holes



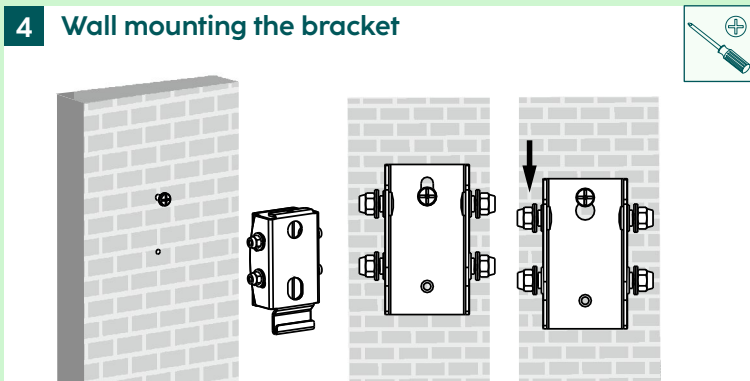
2 Drilling the holes



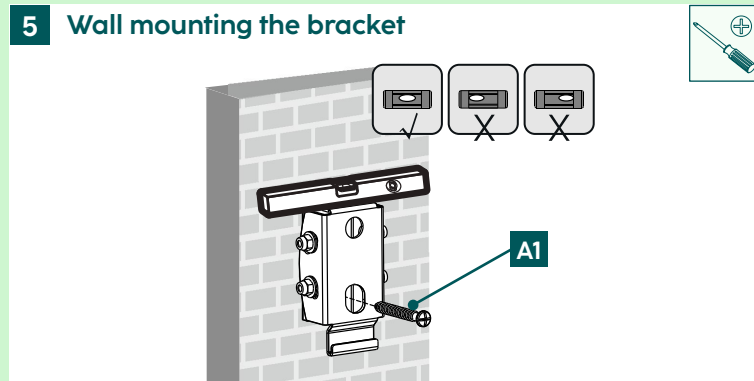
3 Wall mounting the bracket



4 Wall mounting the the bracket



5 Wall mounting the bracket



6 Mounting on backside of the TV

