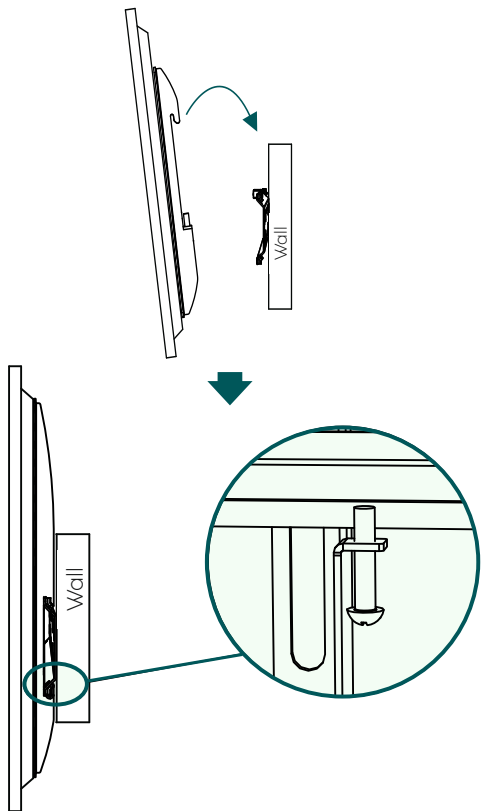


### 3 Adjustment & Fixing



Do you need more help?



Scan QR or visit:  
[support.hama.com/00220805](https://support.hama.com/00220805)



**hama**

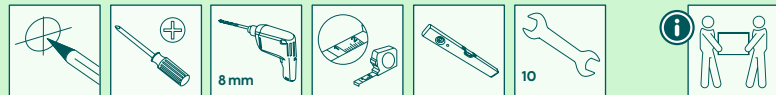
We are so happy you chose a hama product.

*Enjoy using it!*



# Quick Installation Guide

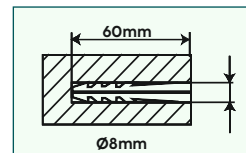
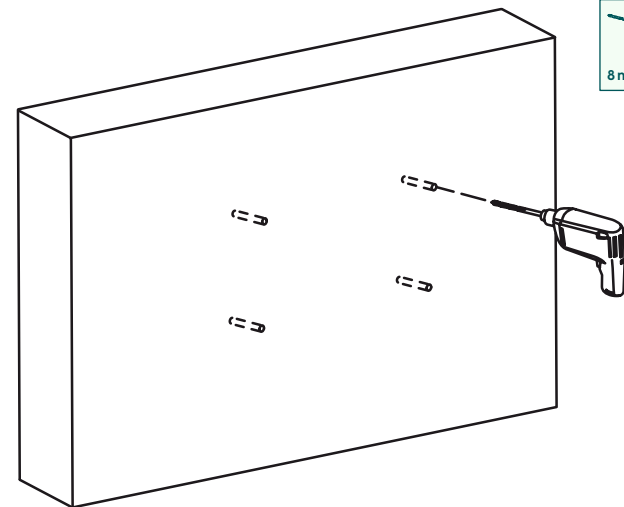
## Required tools



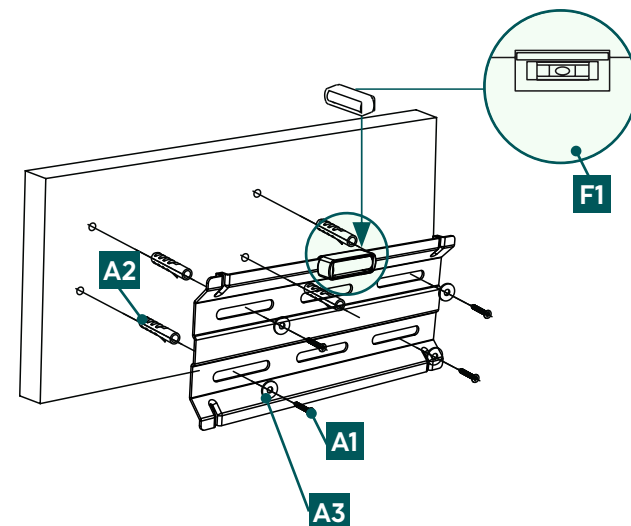
## Installation kit

<b>A1</b>	6x60 (x4)	<b>D1</b>	M8x12 (x4)
<b>A2</b>	Ø8x50 (x4)	<b>D2</b>	M8x20 (x4)
<b>A3</b>	M6 (x4)	<b>D3</b>	M8x30 (x4)
<b>B1</b>	M6 (x4)	<b>E1</b>	M4x12 (x4)
<b>B2</b>	Ø8x10 (x4)	<b>E2</b>	M4x20 (x4)
<b>B3</b>	Ø8x20 (x4)	<b>E3</b>	M4x45 (x4)
<b>C1</b>	M6x12 (x4)	<b>F1</b>	(x1)
<b>C2</b>	M6x20 (x4)		

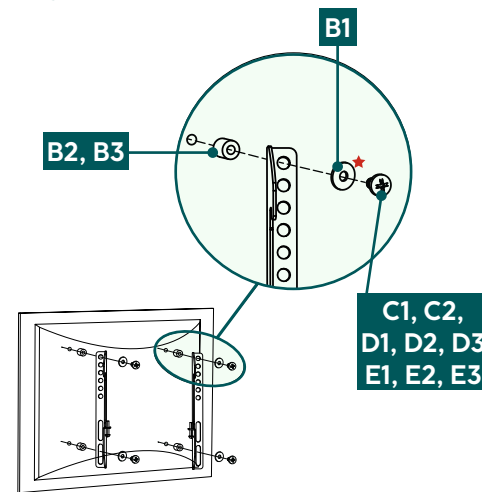
## 1a Drilling the holes



## 1b Wall mounting the the bracket

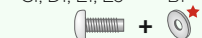


## 2 Mounting on backside of the TV



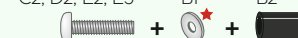
### Flat TV backside

C1, D1, E1, E3 + B1

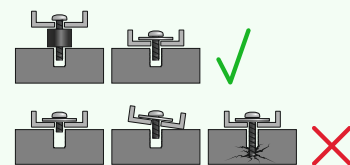


### Curved TV backside

C2, D2, E2, E3 + B1 + B2



D3, E3 + B3



★ You do not need a washer for the D-screws