

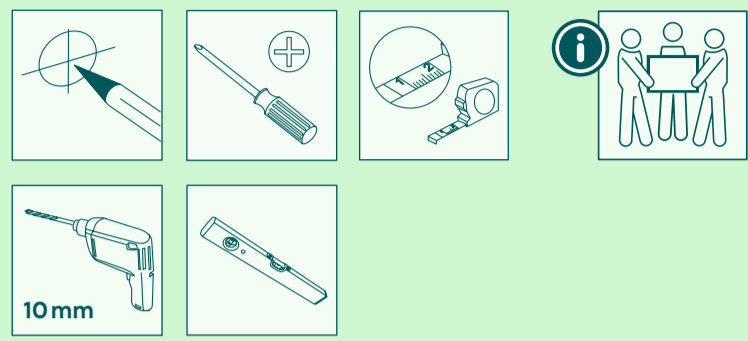
We are so happy you chose a
hama product.

Enjoy using it!



Quick Installation Guide

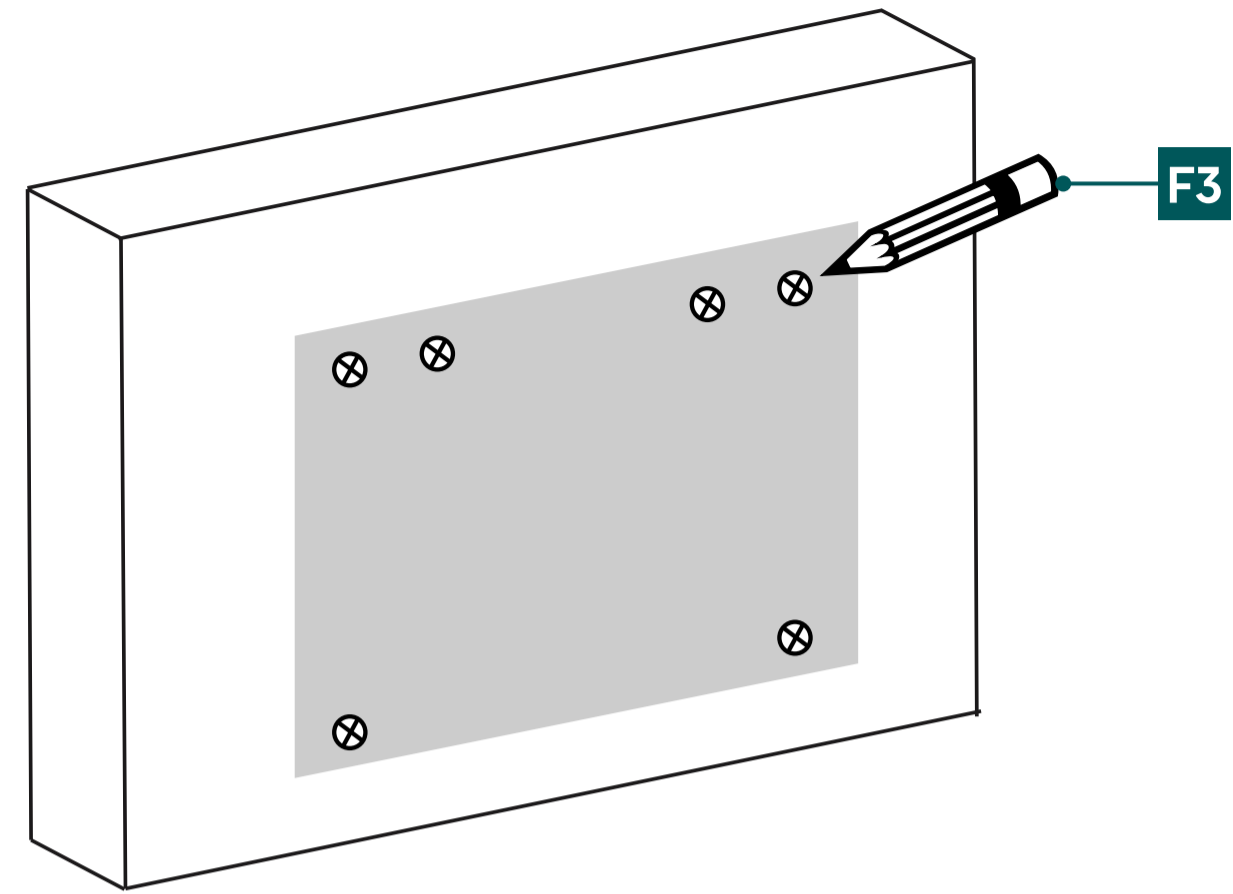
Required tools



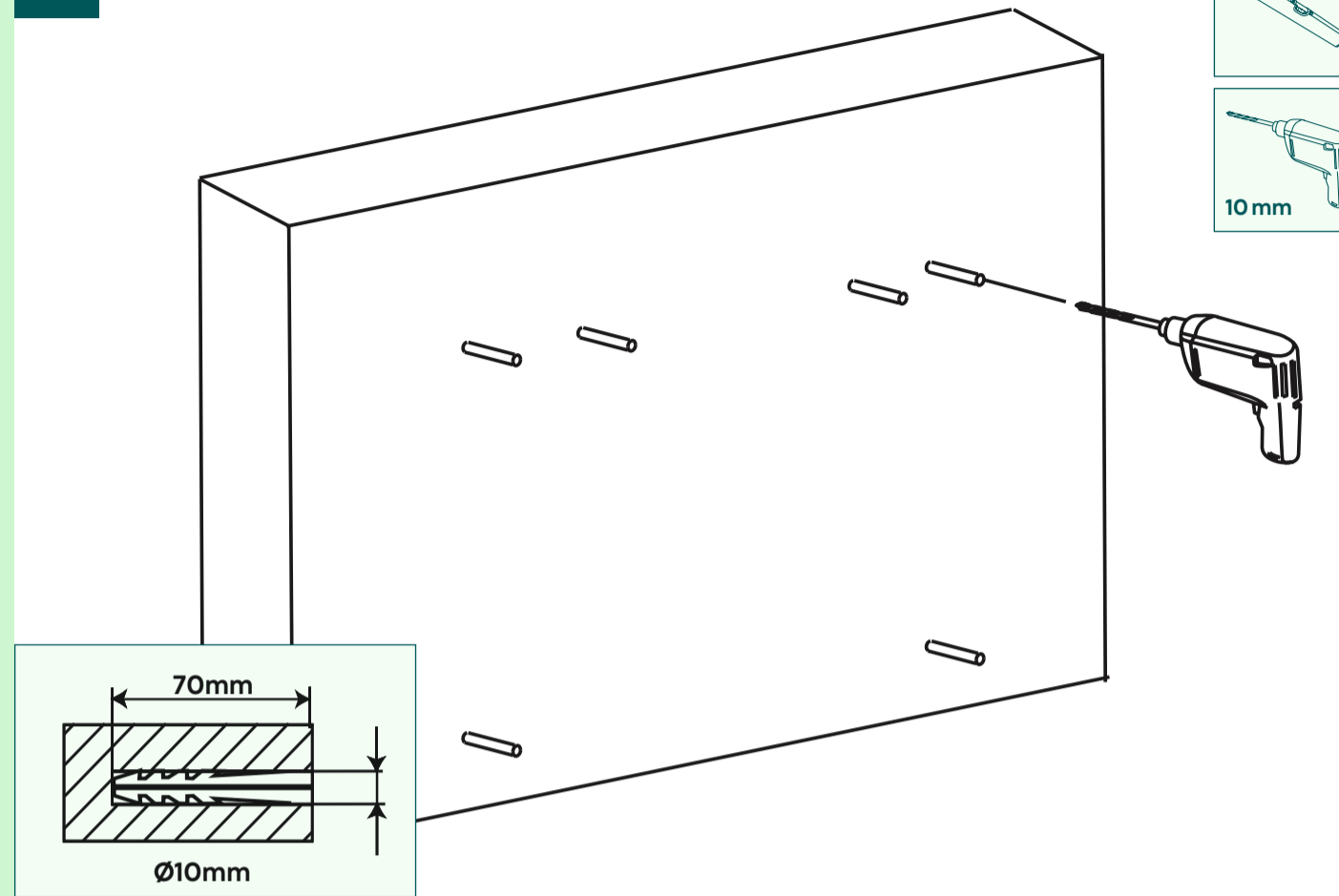
Installation kit

A1		8x70 (x6)
A2		Ø10x60 (x6)
A3		M8 (x6)
B1		M6 (x4)
B2		Ø8x10 (x4)
B3		Ø8x20 (x4)
C1		M6x12 (x4)
C2		M6x20 (x4)
D1		M8x12 (x4)
D2		M8x20 (x4)
D3		M8x30 (x4)
D4		M8x50 (x4)
F1		(x4)
F2		(x1)
F3		(x1)
G1		(x1)
G2		(x1)

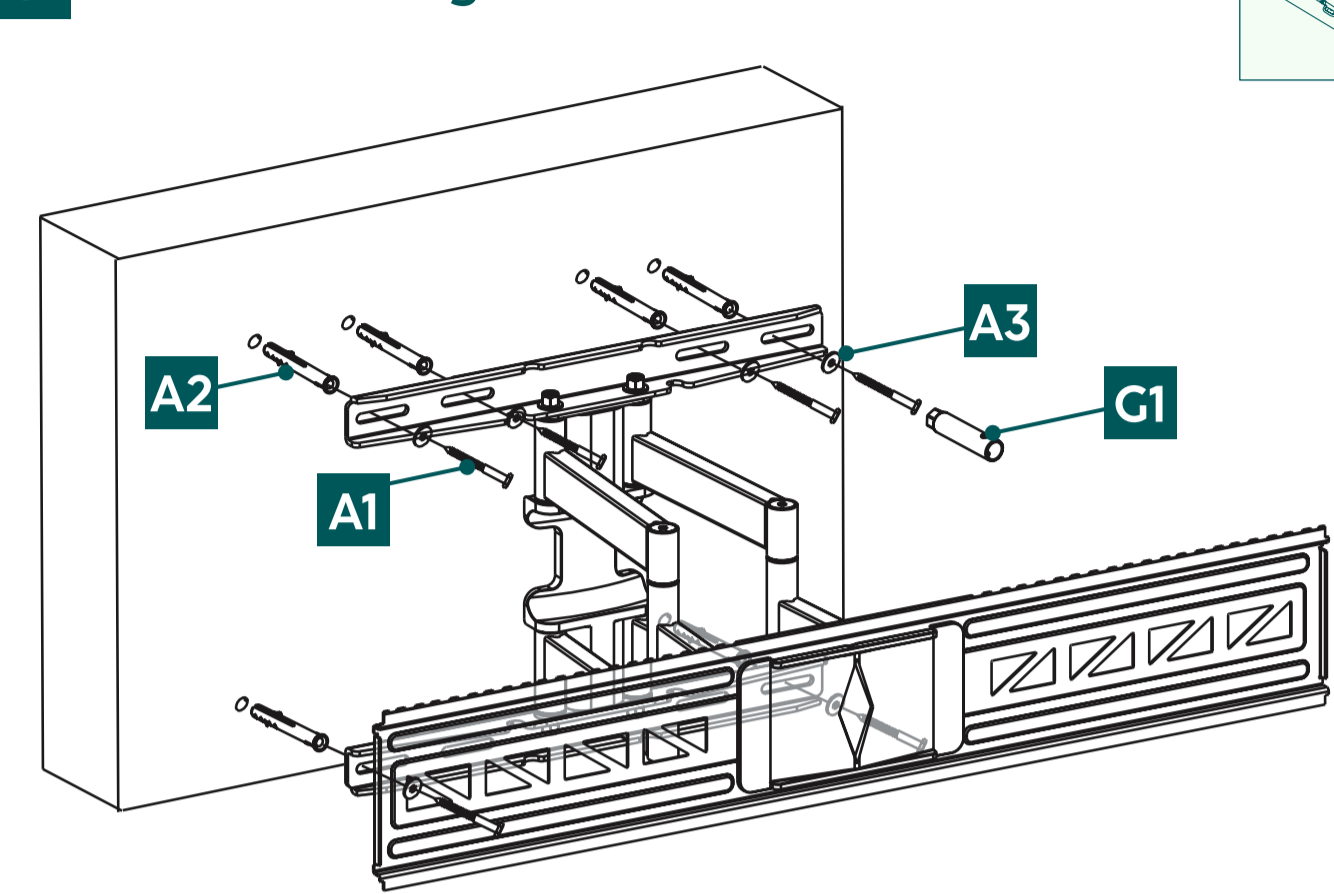
1 Mark drill holes



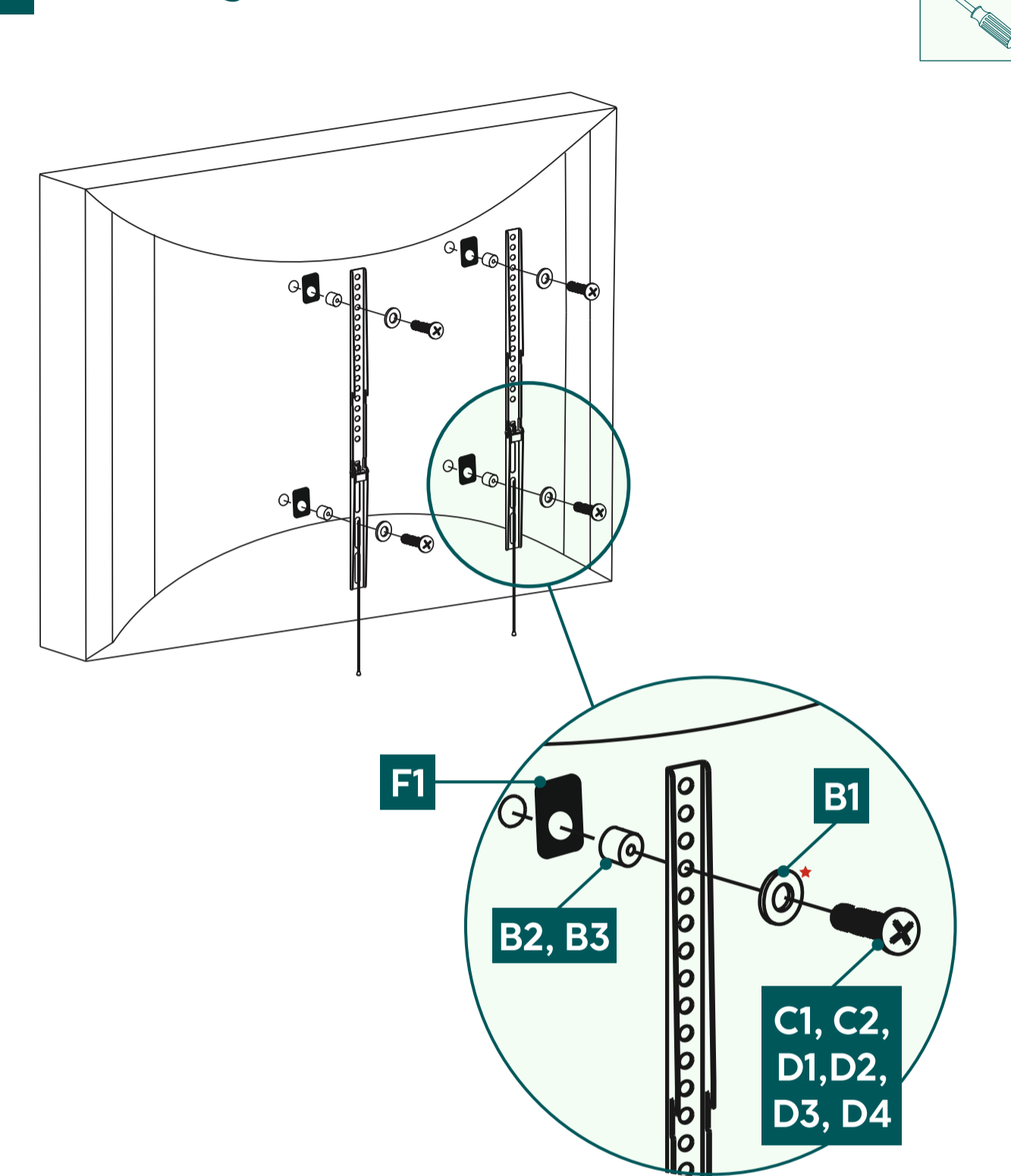
2 Drill holes



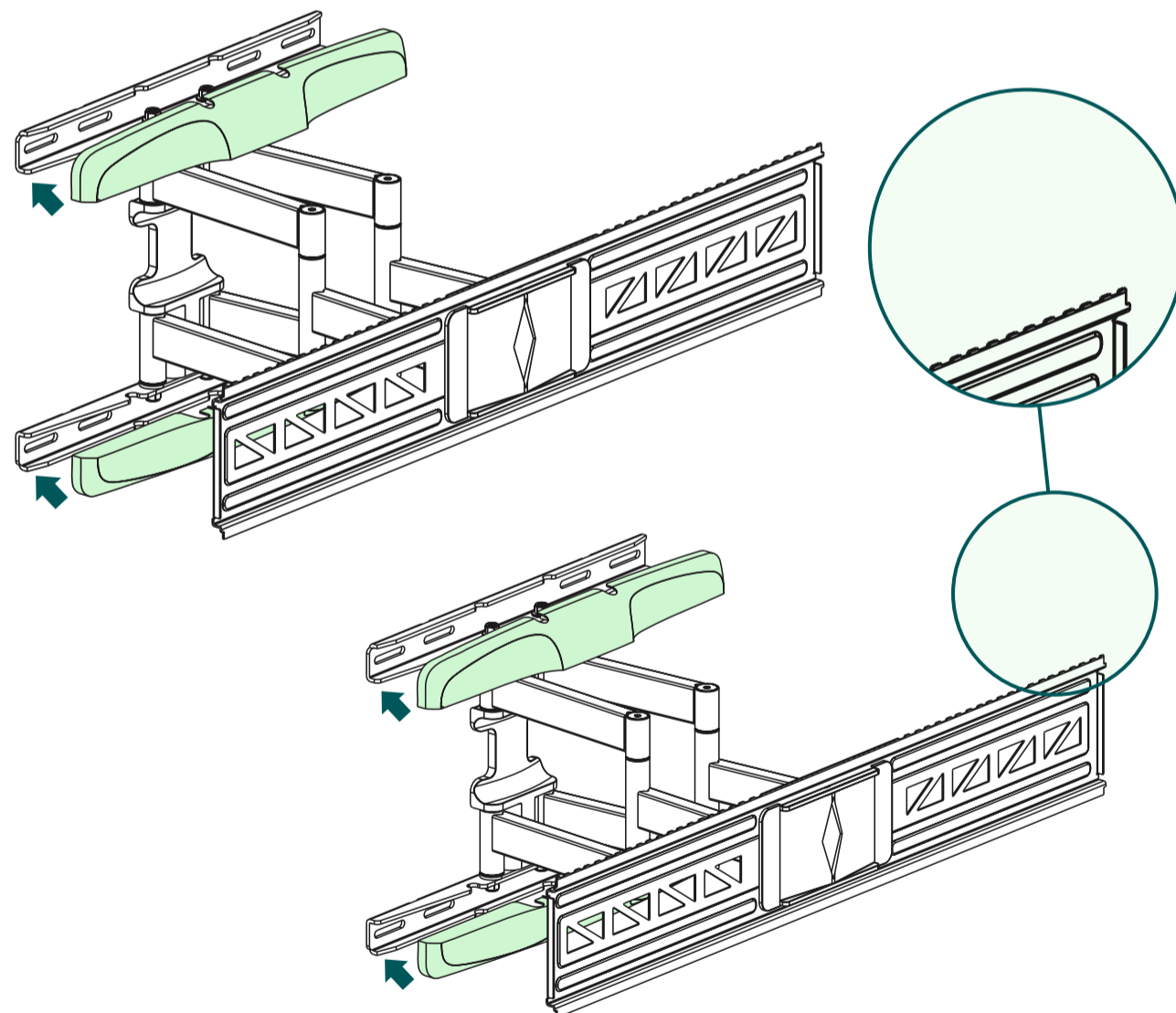
3 Wall mounting the bracket



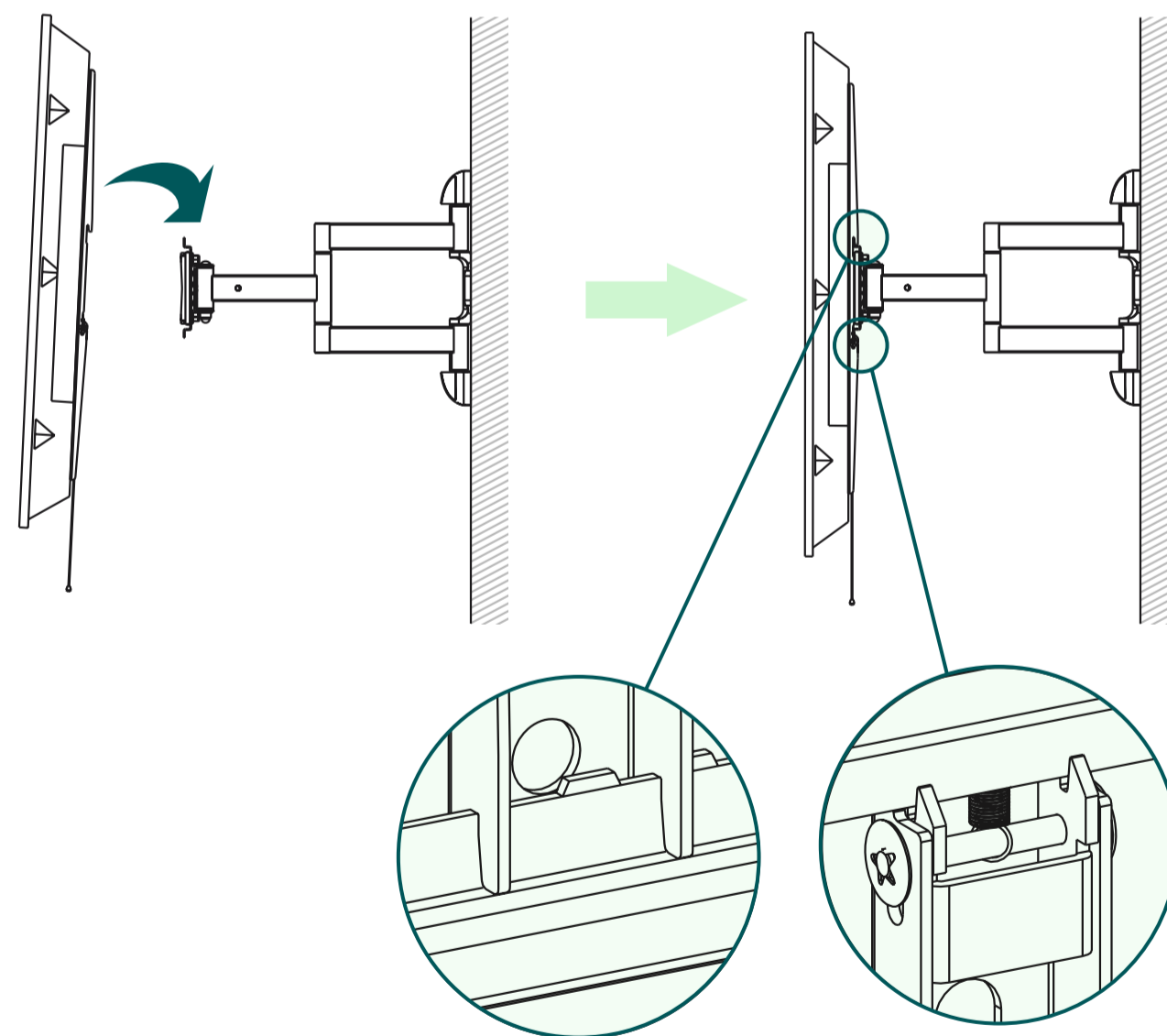
4 Mounting on TV



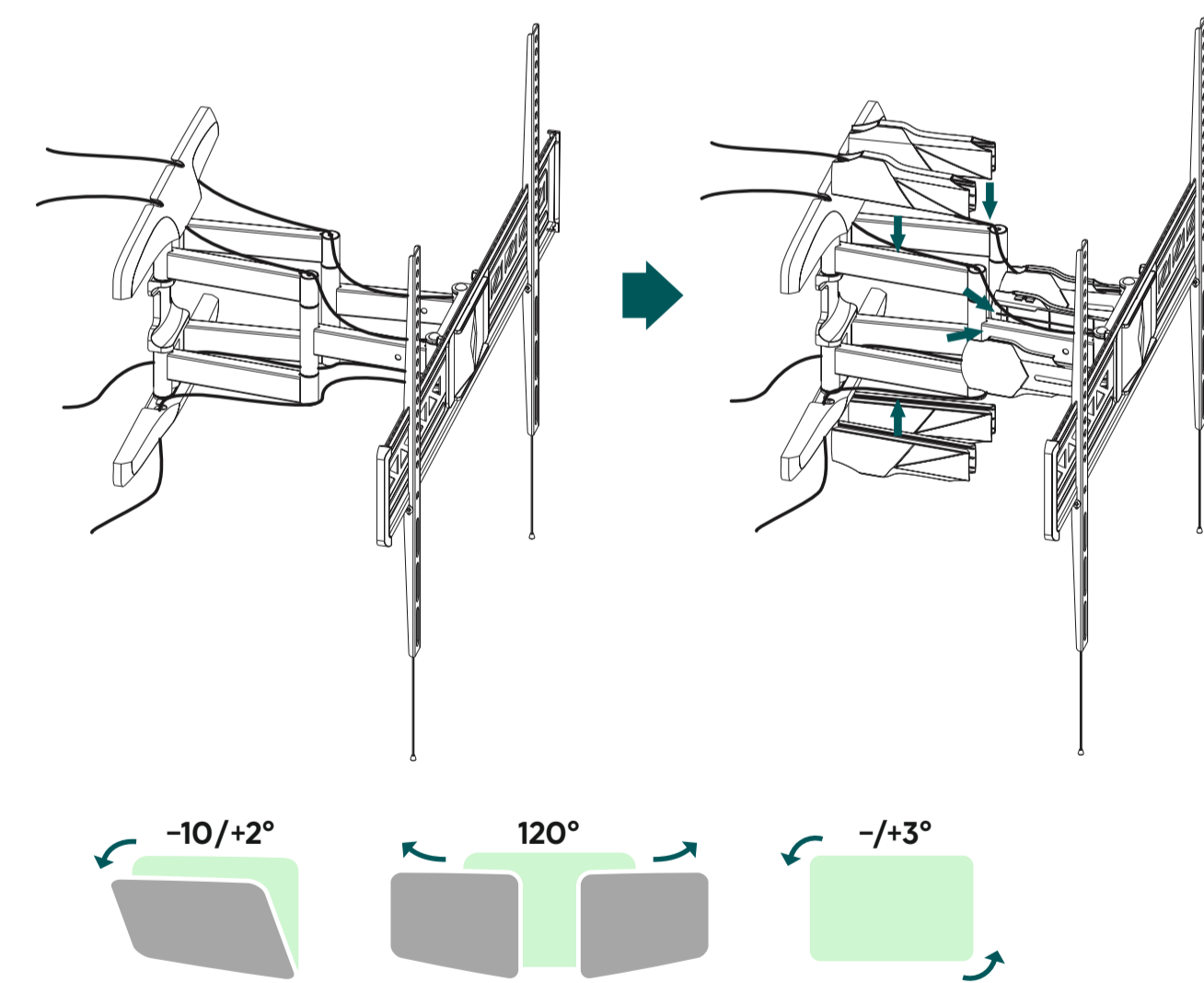
5 Adjustment



6 Adjustment

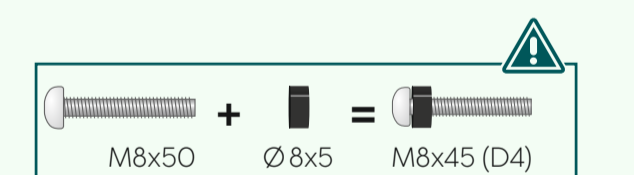


7 Adjustment



Flat TV backside

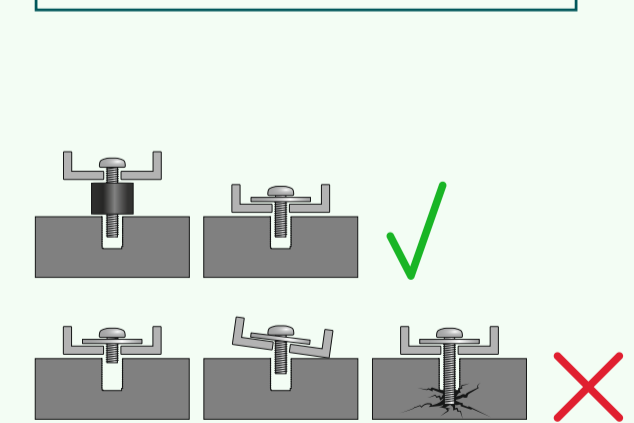
F1 + C1, D1, D4 + B1



Curved TV backside

F1 + C2, D2, D4 + B1 + B2

F1 + D3, D4 + B3



* You do not need a washer for the D-screws

Do you need more help?



Scan QR or visit:
support.hama.com/00220838

