

We are so happy you chose a
hama product.

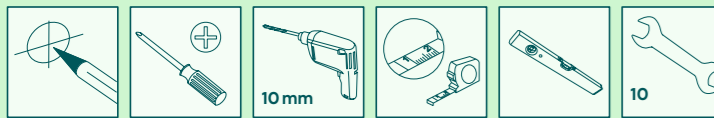
Enjoy using it!



hama

Quick Installation Guide

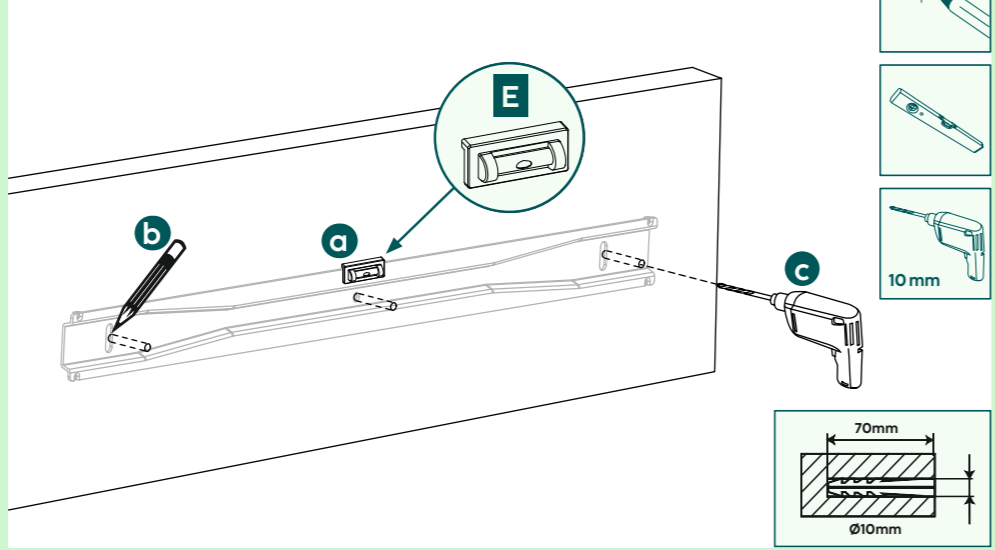
Required tools



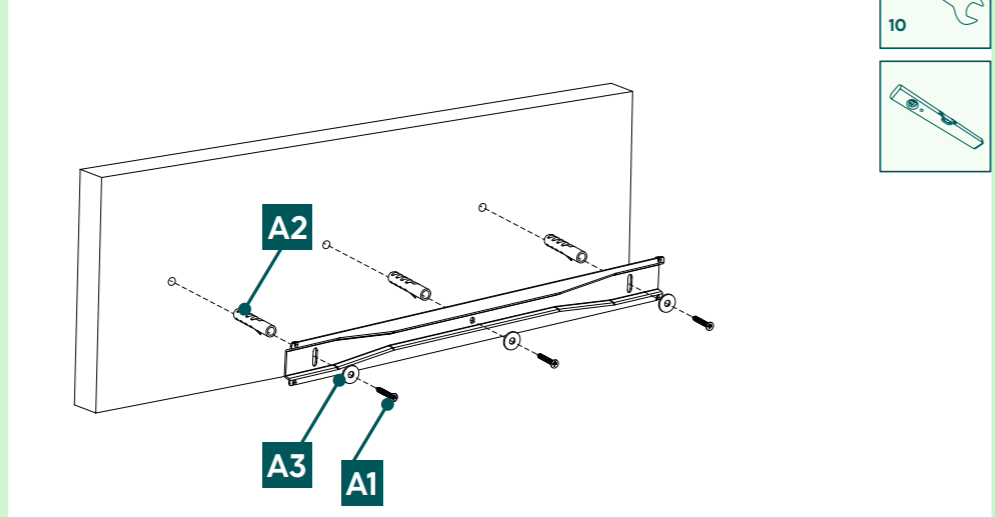
Installation kit

| | | | | | |
|-----------|--|-------------|-----------|--|------------|
| A1 | | 8x70 (x3) | C2 | | M6x20 (x4) |
| A2 | | Ø10x60 (x3) | D1 | | M8x12 (x4) |
| A3 | | M8 (x3) | D2 | | M8x20 (x4) |
| B1 | | M8 (x4) | D3 | | M8x30 (x4) |
| B2 | | Ø8x10 (x4) | D4 | | M8x50 (x4) |
| B3 | | Ø8x20 (x4) | E | | (x1) |
| C1 | | M6x12 (x4) | F | | (x1) |

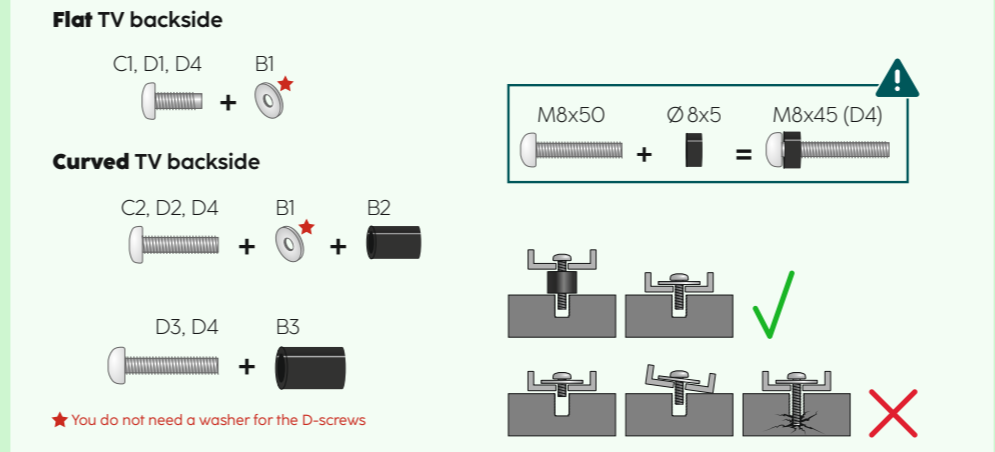
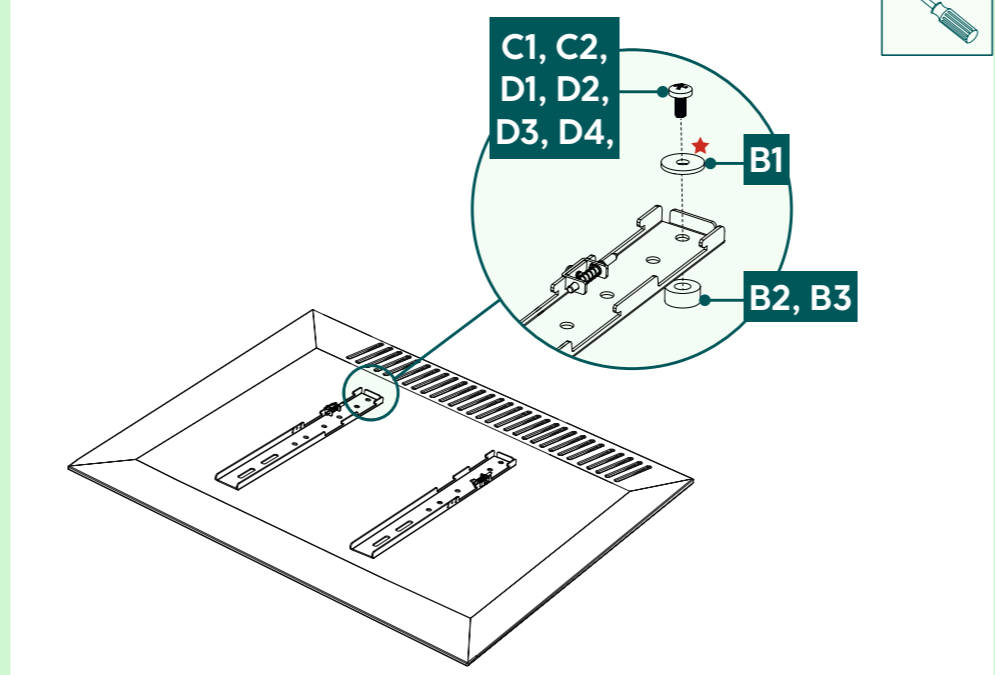
1a Drilling the holes



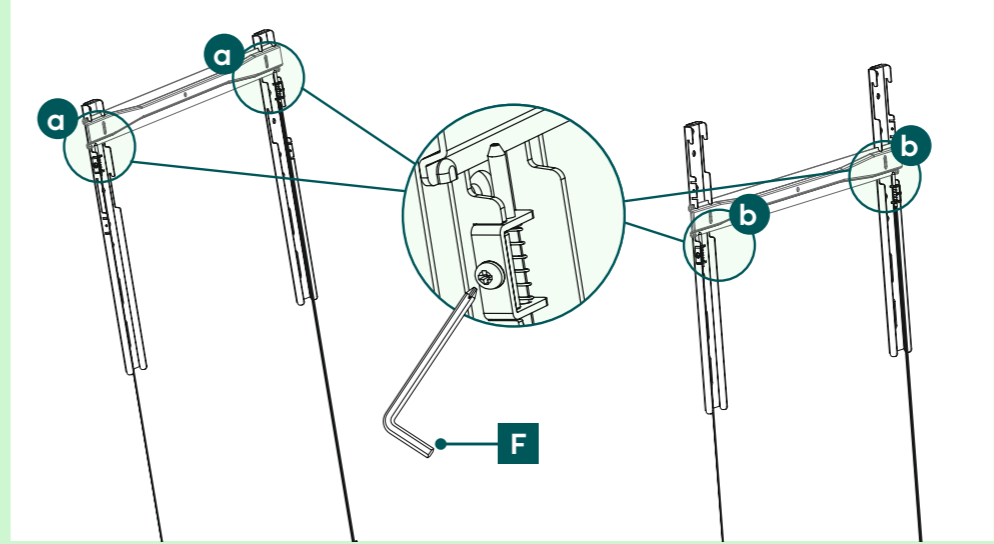
1b Wall mounting the bracket



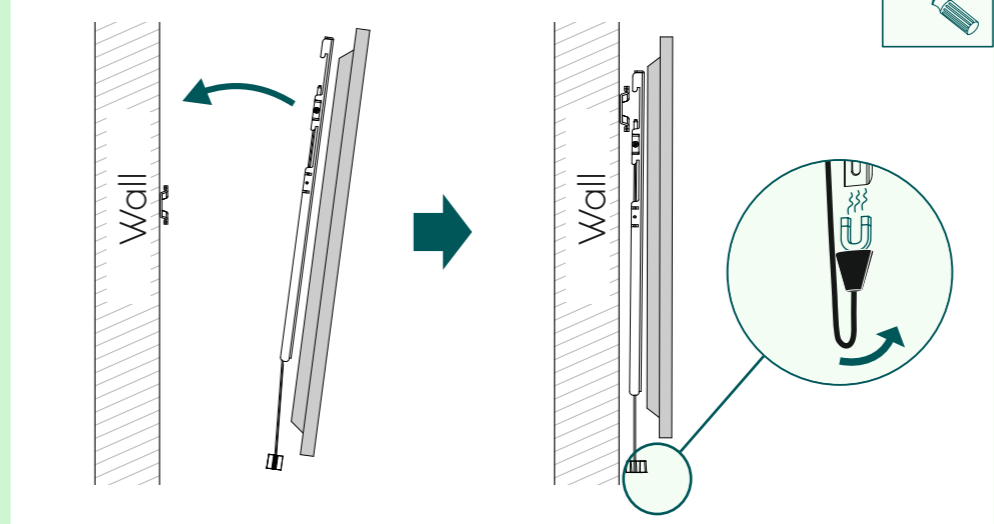
2 Mounting on backside of the TV



3 Adjustment & Fixing



4 Adjustment & Fixing



Do you need more help?



Scan QR or visit:
support.hama.com/00220845