

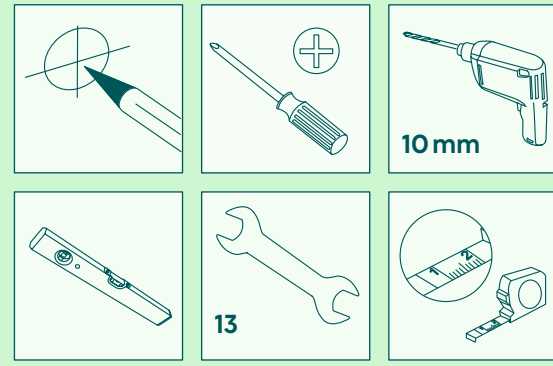
We are so happy you chose a
hama product.

Enjoy using it!



Quick Installation Guide

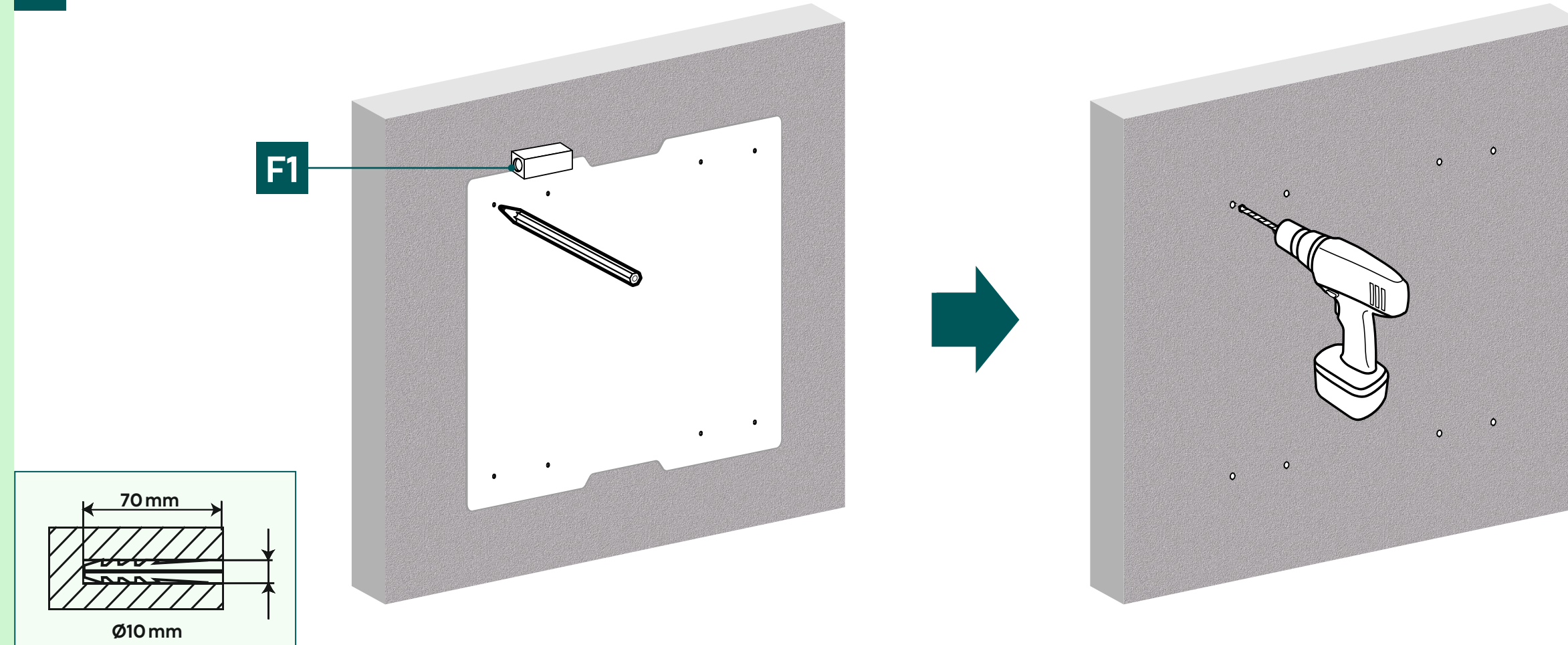
Required tools



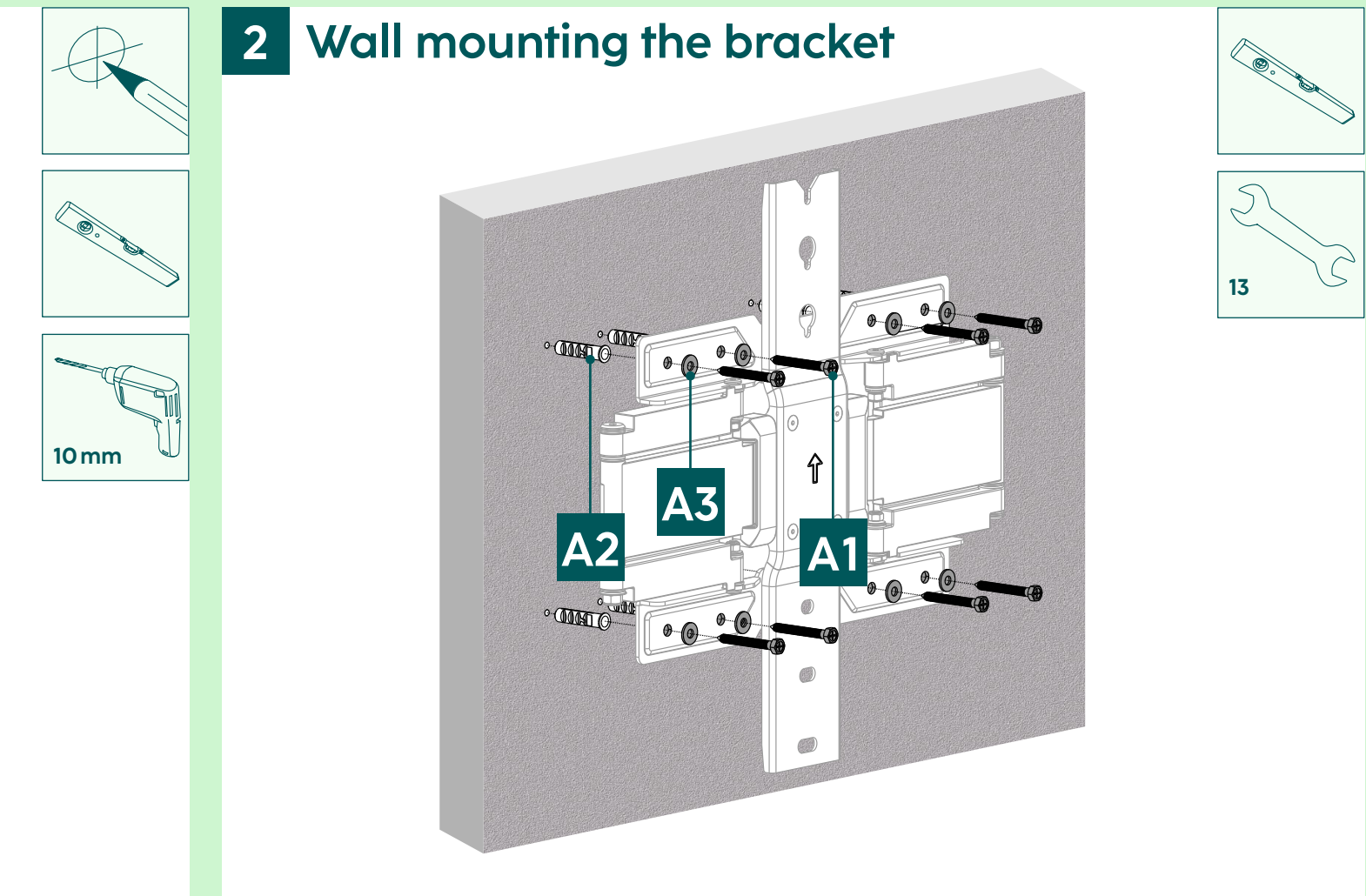
Installation kit

A1		8x60 (x8)
A2		Ø10x60 (x8)
A3		M8 (x8)
B1		M6/M8 (x4)
B2		Ø8x10 (x4)
B3		Ø8x20 (x4)
C1		M6x12 (x4)
C2		M6x20 (x4)
D1		M8x12 (x4)
D2		M8x20 (x4)
D3		M8x30 (x4)
D4		M8x50 (x4)
F1		(x1)
F2		(x8)
F3		(x2)
F4		(x4)
F5		(x2)
F6		(x1)
F7		(x1)
F8		(x2)

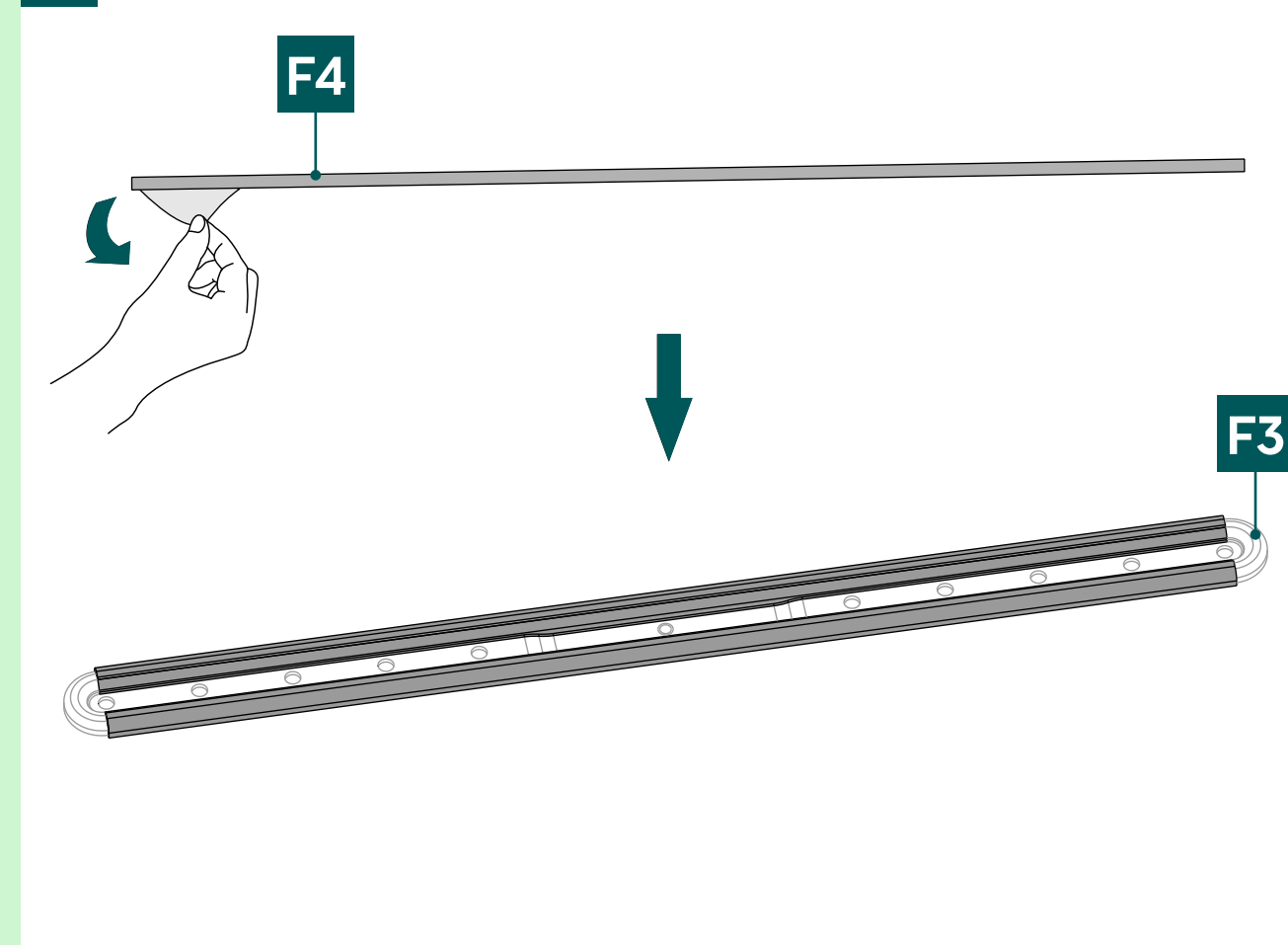
1 Mark and drill holes



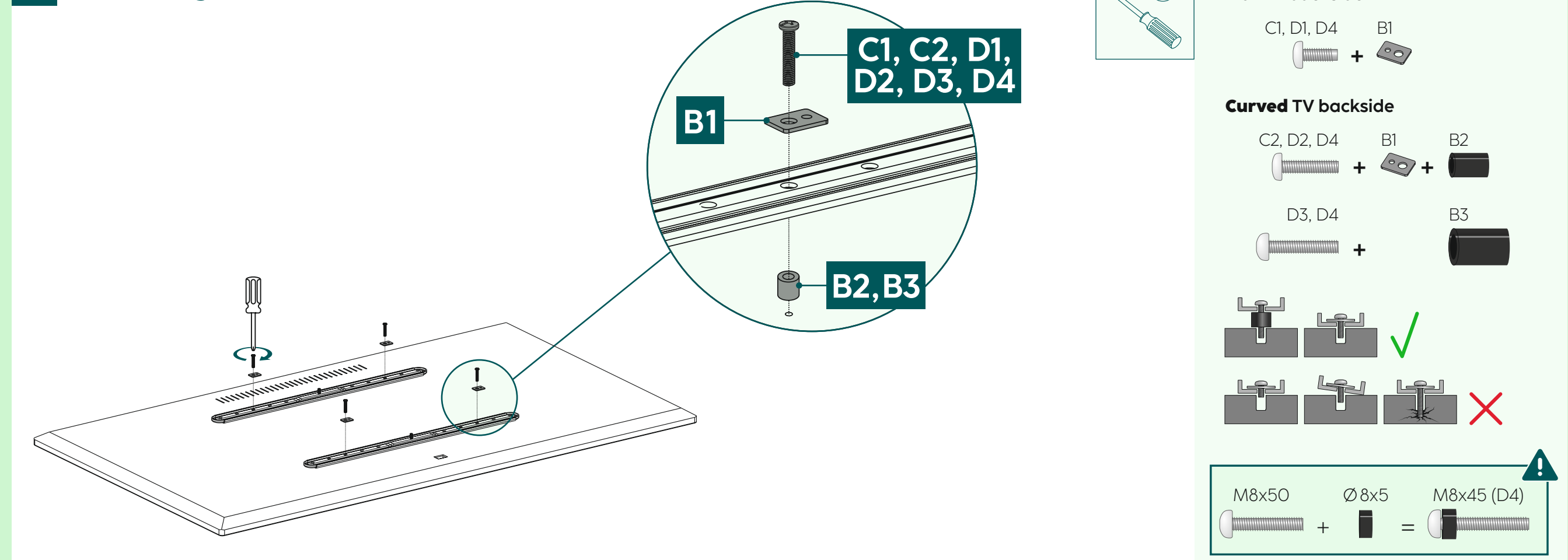
2 Wall mounting the bracket



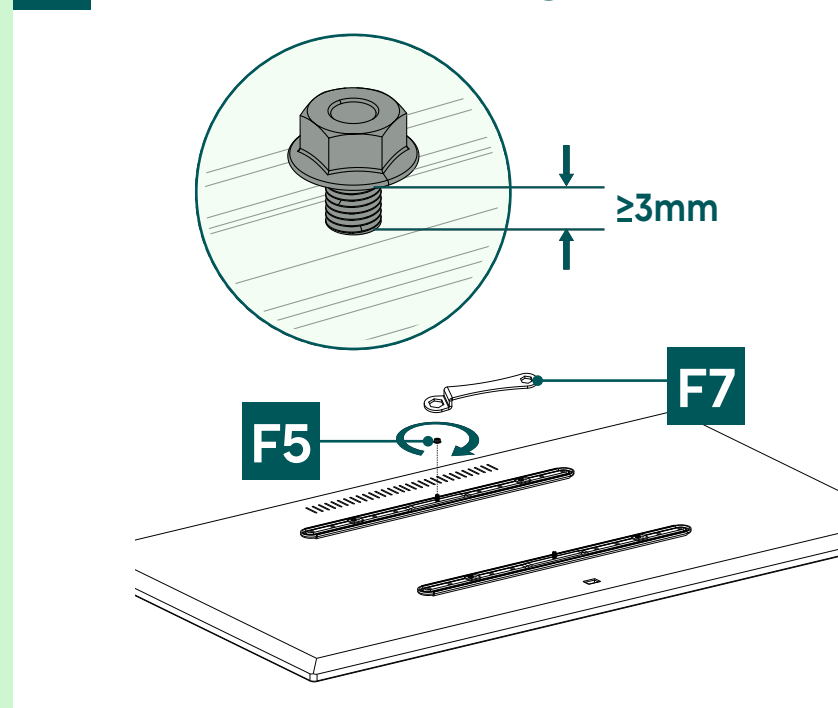
3 Prepare TV arms for mounting



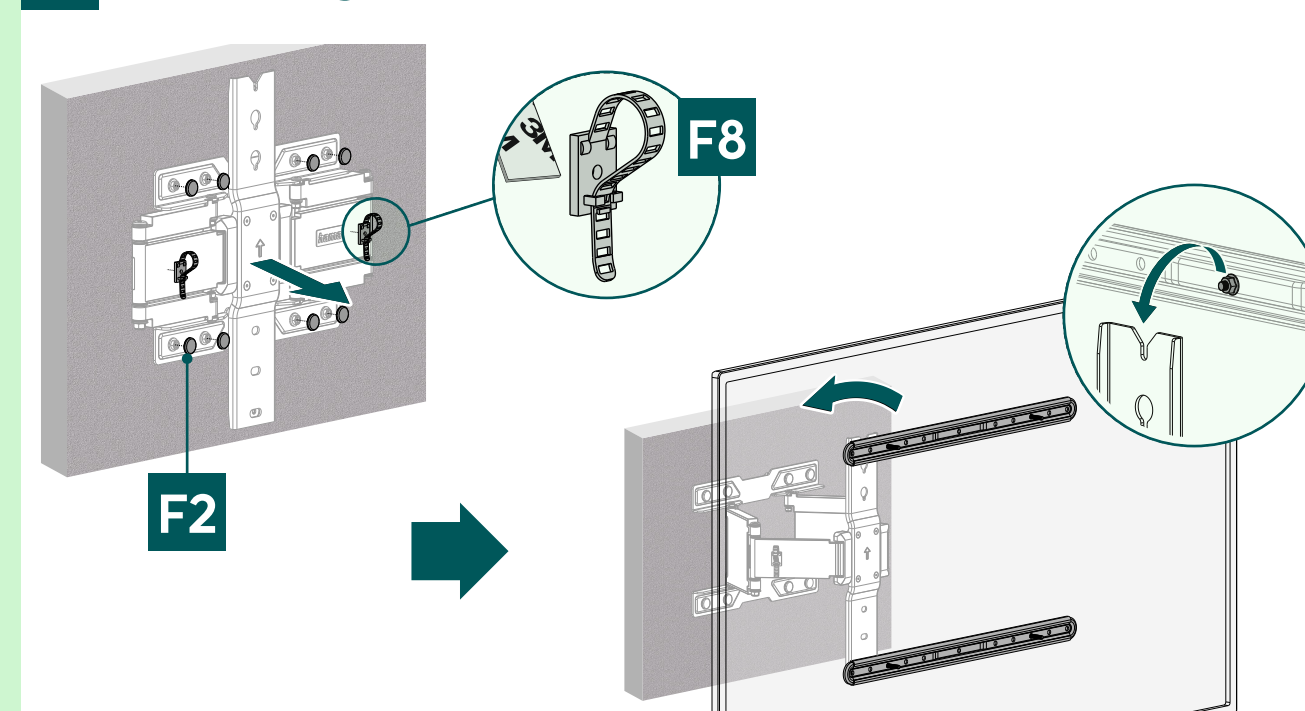
4 Mounting on TV



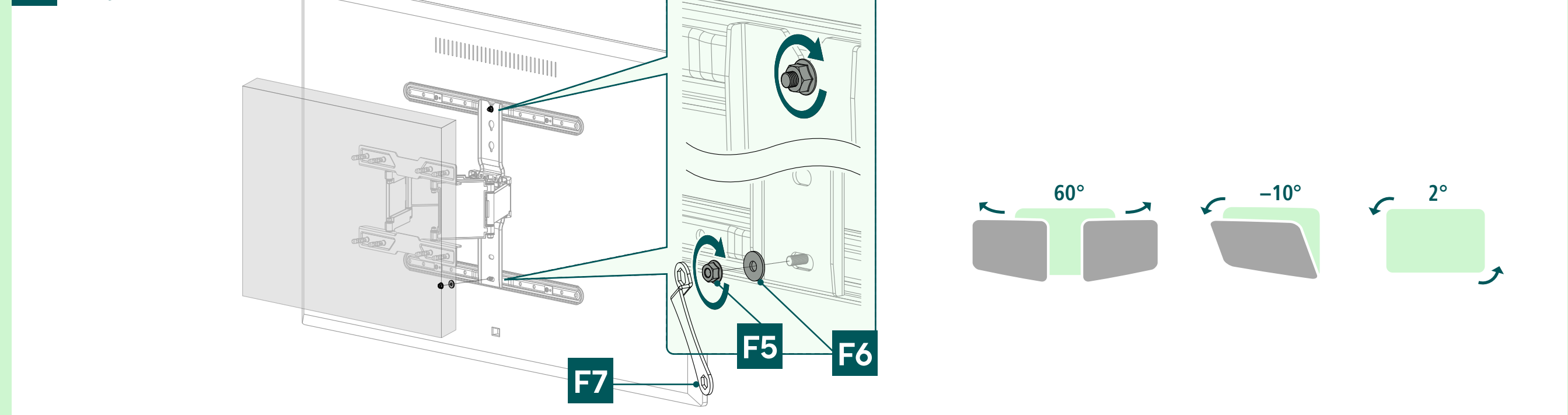
5 Turn screw the right way



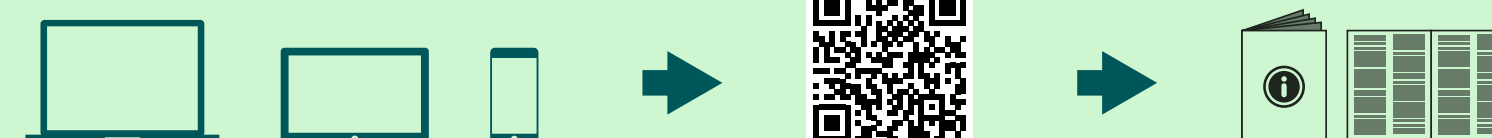
6 Mounting TV on bracket



7 Adjustments



Do you need more help?



Scan QR or visit: www.hama.com
00220851 Downloads

